

Quadro



Features

- High reliability LEDs
- Additional internal component sealing
- Power supply included, non flicker
- High quality aluminum slim body
- Instant start
- Optional DIM: Dali system power supply, 1-10V
- Optional: EMERGENCY battery ~2h
- Driver external 950mA / DC38V
- Documents: CE, RoHS, EMC, test report

Applications

Rooms lighting
Hallways lighting
Offices lighting
Warehouses lighting
Factory lighting

Available types

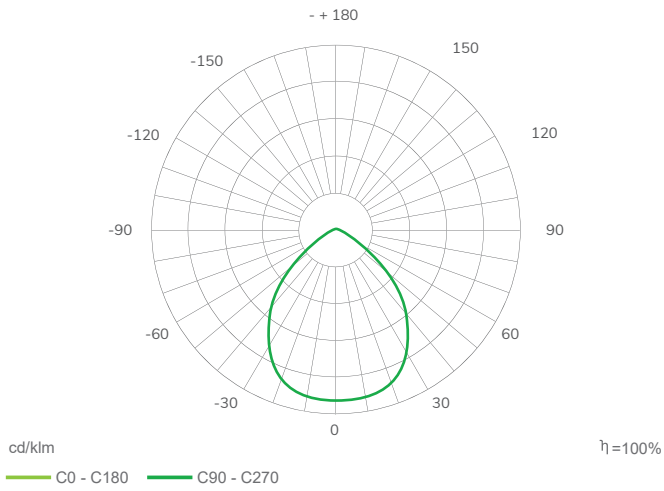
Product Item	Power consumption, W	Color temperature, K	Luminous Efficacy, lm/W	Dimensions, mm
LCL-Q-18W-4000K	18W	4000K	100lm/W 120lm/W	30 x 60mm
LCL-Q-36W-3000K	36W	3000K	120lm/W	60 x 60mm
LCL-Q-36W-4000K	36W	4000K	120lm/W	120 x 30mm

Technical specification

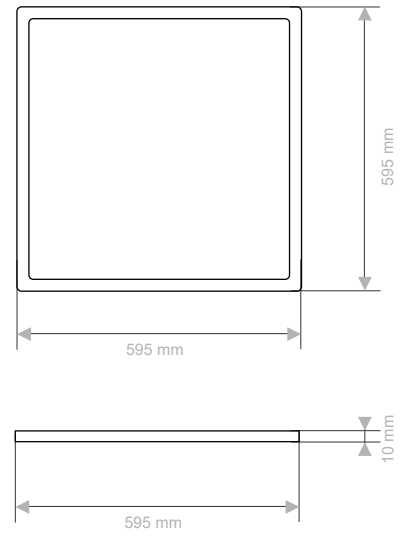
Available colors:	warm white white cool white optional
Color temperature, K optional:	~3000K ~4000K ~6000K optional
Typical luminous flux, lm optional:	3900 Lm 4320 Lm 4450 Lm optional
LED Type	Epistar /SAMSUNG LED
Dimensions, mm	595 x 595 x 10,4
LED Type	Epistar /SAMSUNG LED
Color rendering index	RA>90 RA>85 optional



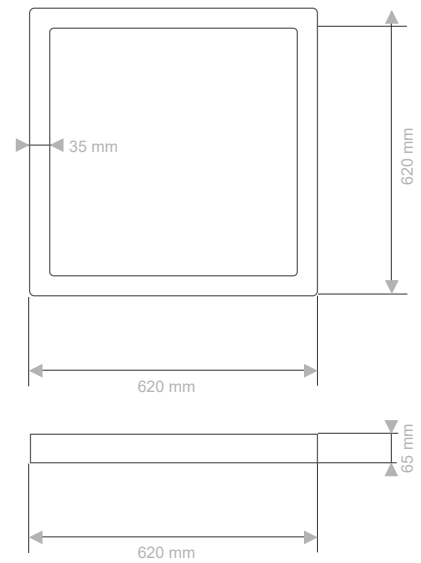
Light curves



Technical drawing



Optional surface mounting frame



Picture

