

## Quadro



### Features

- High reliability LEDs
- Additional internal component sealing
- Power supply included, non flicker
- High quality aluminum slim body
- Instant start
- Optional DIM: Dali system power supply, 1-10V
- Optional: EMERGENCY battery ~2h
- Driver external 950mA / DC38V
- Documents: CE, RoHS, EMC, test report

### Applications

Rooms lighting  
Hallways lighting  
Offices lighting  
Warehouses lighting  
Factory lighting

### Available types

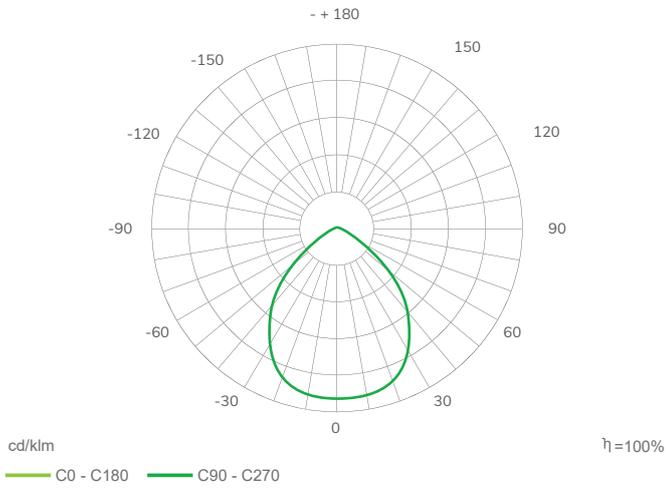
Product Item	Power consumption, W	Color temperature, K	Luminous Efficacy, lm/W	Dimensions, mm
LCL-Q-18W-4000K	18W	4000K	100lm/W   120lm/W	30 x 60mm
LCL-Q-36W-3000K	36W	3000K	120lm/W	60 x 60mm
LCL-Q-36W-4000K	36W	4000K	120lm/W	120 x 30mm

### Technical specification

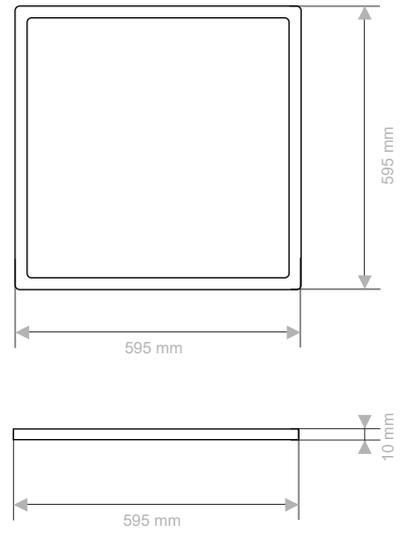
Available colors:	warm white   white   cool white optional
Color temperature, K optional:	~3000K   ~4000K   ~6000K optional
Typical luminous flux, lm optional:	3900 Lm   4320 Lm   4450 Lm optional
LED Type	Epistar /SAMSUNG LED
Dimensions, mm	595 x 595 x 10,4
LED Type	Epistar /SAMSUNG LED
Color rendering index	RA>90   RA>85 optional



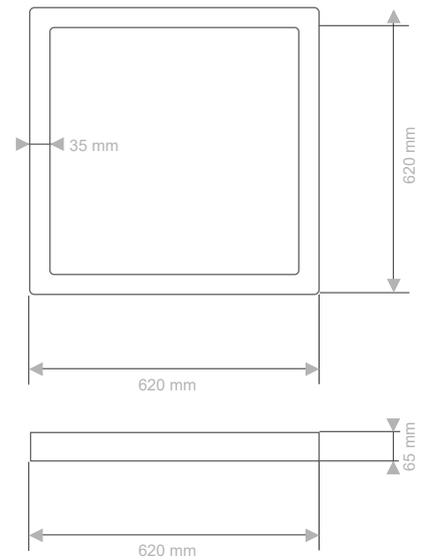
## Light curves



## Technical drawing



## Optional surface mounting frame



## Picture

